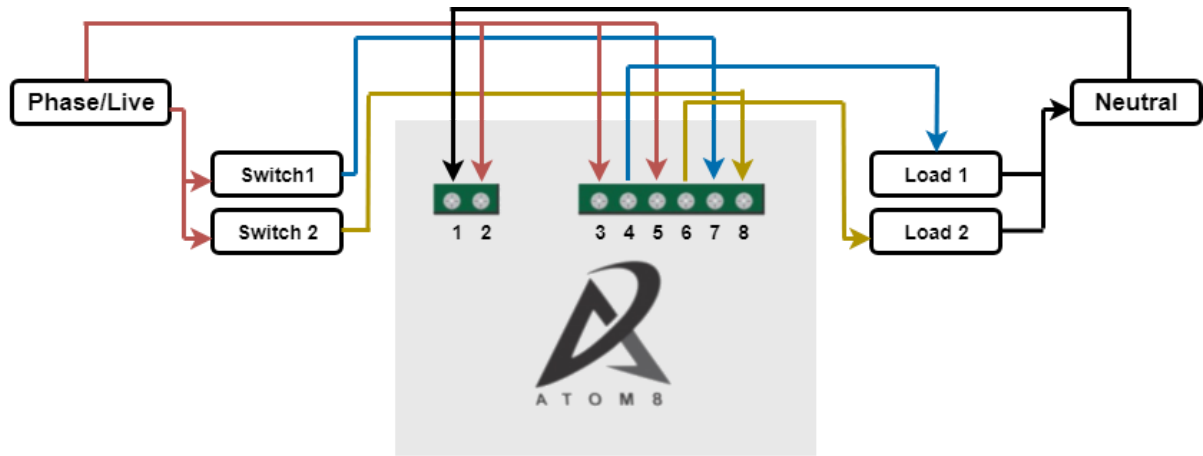
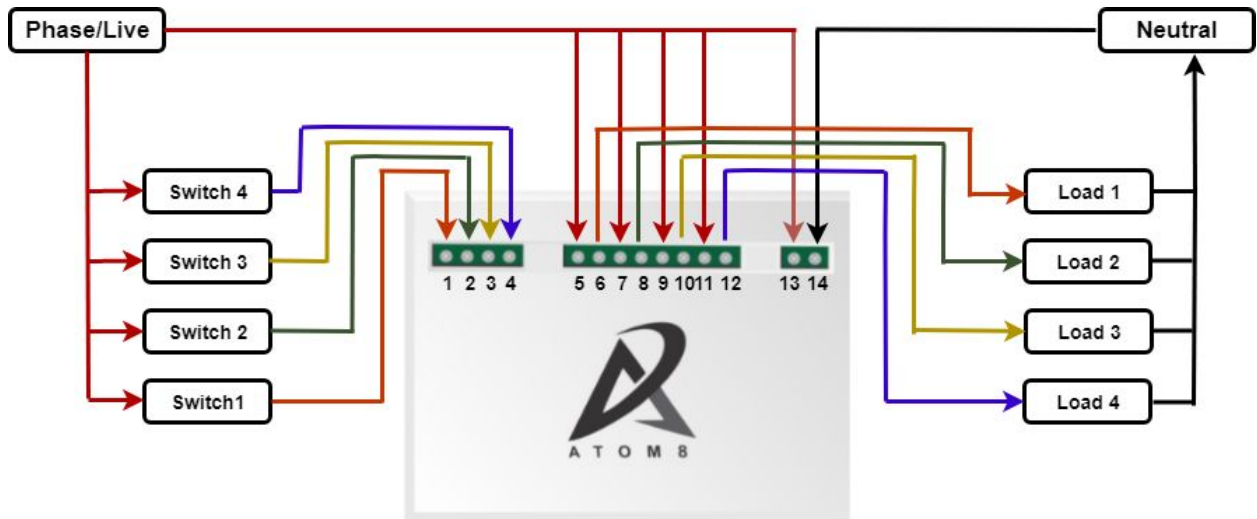


# DUO SWITCH8



- Pin 1 ← Neutral
- Pin 2 ← Phase/Live
- Pin 3 ← Phase/Live If the Load > 250W this has to be connected to phase, otherwise can be left unconnected
- Pin 4 → Load 1
- Pin 5 ← Phase/Live If the Load > 250W this has to be connected to phase, otherwise can be left unconnected
- Pin 6 → Load 2
- Pin 7 ← Switch 1
- Pin 8 ← Switch 2

# QUAD SWITCH8



- Pin 1 ← Switch 1
- Pin 2 ← Switch 2
- Pin 3 ← Switch 3
- Pin 4 ← Switch 4
- Pin 5 ← Phase/Live (If the Load > 250W this has to be connected to phase, otherwise can be left unconnected)
- Pin 6 → Load 1
- Pin 7 ← Phase/Live (If the Load > 250W this has to be connected to phase, otherwise can be left unconnected)
- Pin 8 → Load 2
- Pin 9 ← Phase/Live (If the Load > 250W this has to be connected to phase, otherwise can be left unconnected)
- Pin 10 → Load 3
- Pin 11 ← Phase/Live (If the Load > 250W this has to be connected to phase, otherwise can be left unconnected)
- Pin 12 → Load 4
- Pin 13 → Phase/Live
- Pin 14 → Neutral